

## ONE YEAR LIMITED WARRANTY

**Garrick** products are guaranteed to be free of defects in materials and workmanship. If one of these products fails during the first year of operation due to defective materials or workmanship it will be repaired or replaced at our discretion. Normal wear and tear of moving parts is excluded from this guarantee. This guarantee does not apply to any product showing signs of misuse, overloading, alteration or improper maintenance.

## WARRANTY POLICY

Any product for which there is a warranty claim must be returned prepaid to an authorised **Garrick** warranty depot along with proof of purchase.

For information on **Garrick** products, please contact your local distributor:



Garrick Herbert Pty Ltd  
 460 The Boulevard  
 Kirrawee NSW 2232 Australia  
 Tel: +61 2 9534 1244  
 Fax: +61 2 9534 6932  
 sales@garrickherbert.com.au

## SAFETY INFORMATION

It is the responsibility of the owner/user to install, inspect, test, maintain, and operate these products in accordance with AS/NZS1418.2 standards.

These general instructions deal with the normal installation, operation and maintenance situations encountered with the products described herein.

This product should not be installed, operated or maintained by any person who has not read all the contents of these instructions. Failure to read and comply with these instructions or any of the warnings or limitations noted herein can result in serious bodily injury or death, and/or property damage.

Only trained and qualified personnel shall operate and maintain this equipment.

Equipment described herein is not designed for, and should not be used for lifting, supporting or transporting people.

Modifications to up-grade, re-rate or otherwise alter these products can only be authorised by the manufacturer.

## PRE-INSTALLATION INSTRUCTIONS

Check for damage during shipment. DO NOT install or use a damaged product. Check and verify any structure or other equipment that will support the product has a rated load capacity equal to or greater than the rated load capacity of the product to be used.

## OPERATION

Before initial operation:

1. Read and comply with all instructions and warnings furnished with or attached to the product if applicable.
2. Check lubricant.
3. Check operation of brake.
4. Where applicable, check that chain is properly seated in sheaves and that chain is not twisted, kinked or damaged.

Before each shift, where applicable:

1. Inspect hooks for nicks, gouges, cracks, and signs of pulling apart or twisting.
2. Inspect hook latch for proper operation.
3. Check chain for kinks or twists.
4. Check operation of brake.
5. Replace warning label if missing or illegible.

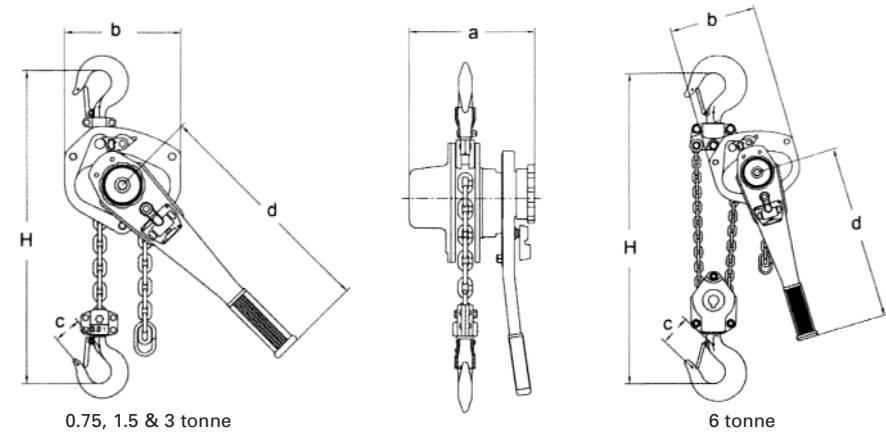
Before operating:

1. Be certain all personnel are clear of the load to be lifted and moved.
2. Make sure load will clear stock piles, machinery, or other obstructions when hoisting and travelling the load.

## SAFETY PRECAUTIONS

- READ** these instructions and relevant Australian Standard - AS/NZS1418.2 before installing, operating, or maintaining this equipment.
- WARN** personnel of approaching loads.

## DIMENSIONS & SPECIFICATIONS



Capacity (tonnes)	Model No.	No. of Falls	Chain dia. (mm)	Load Chain Grade	Pull of Rated Load (kN)	Net Wt. with 1.5m Lift (kg)	Extra Wt. per m (kg)	Dimensions (mm)				
								a	b	c	d	H
0.75	GLH075	1	6.3	80	15	6.9	0.85	148	128	37	256	295
1.5	GLH150	1	7.1	100	18	9.7	1.11	163	148	47	368	335
3	GLH300	1	9.0	100	38	16.3	1.77	191	181	62	368	405
6	GLH600	2	9.0	100	39	26.7	3.55	191	244	78	368	550

ISO9001: 2000  
4004Q11533ROM

CE  
AM 50046871  
AM 50046872

GS  
S 50029228  
S 50031780



CSIR  
T05567

Garrick maintains a policy of progressive development of products and reserves the right to alter, without notice the specifications shown within this manual.

## CHAIN

Inspect chain before each use. Between regular inspections, check visually daily for nicks, gouges, weld splatter, corrosion, or distorted links. Inspect chain thoroughly if it does not feed smoothly over load sheaves. Inspect as follows.

1. Clean chain before inspection.
2. Test hoist with load and observe operation of chain over load sheaves.
3. Slacken chain and inspect contact points for excessive wear. Refer to Figure 2.



Figure 2

### C. DO NOT, WHERE APPLICABLE:

1. Lift more than the rated load.
2. Operate the product when it is restricted from forming a straight line with the direction of loading.
3. Operate with twisted, kinked or damaged chain.
4. Operate if chain is not seated in sheaves or sprockets.
5. Wrap chain around load or use chain as a sling.
6. Operate unless load is properly applied to the saddle or bowl of the hook.
7. Operate if load is applied to the tip of the hook.
8. Operate with damaged or missing hook latches.
9. Lift people or lift loads over people.
10. Operate with side-pulling or side-loading of load to hoist.
11. Operate a damaged or malfunctioning product.
12. Operate with other than hand power.
13. Remove, deface, or obscure warning label or labels.
14. Leave load suspended if unattended, unless specific precautions have been instituted.
15. Lengthen load chain or repair damaged load chain by welding.
16. Use chain as a ground for welding.

## INSPECTION AND MAINTENANCE

Prior to initial use, all new, modified and repaired products shall be inspected in accordance with Table 1. Thereafter, items to be inspected are indicated in Table 1 by F (Frequent) or P (Periodic).

**Frequent Inspections** - Visual inspection by the operator or other authorized person. This inspection includes listening for unusual sounds while the product is operated that may indicate deficiencies.

**Periodic Inspections** - Audible-visual inspection as for Frequent Inspections, with some disassembly to allow a more detailed inspection if external conditions indicate the need.

**Exception:** Brakes require more than audible-visual inspection. Check daily by operating the product with and without load, stopping at various positions to ensure safe operation.

**TABLE 1 - INSPECTION CHART**

In chart, F indicates Frequent Inspection, P indicates Periodic Inspection

LOCATION		CHECK FOR	F	P
Braking mechanism		Slipping under load	✓	
		Hard to release	✓	
Brake parts:	Brake Discs	Glazing		✓
		Oil contamination		✓
	Pawl: Ratchet	Excessive wear		✓
	Pawl: Spring	Corrosion: stretch		✓
Hook		Chemical damage	✓	
		Deformation	✓	
		Cracks (dye penetrant, magnetic particle, or other suitable detection method)		✓
Hook retaining members (Pins, Bolts, Nuts)		Not tight or secure		✓
Hook Latch		Damaged; does not close	✓	
Suspension Members (Sheaves, Hand-wheels, Chain attachments, Suspension bolts or pins)		Excessive wear		✓
		Cracks	✓	✓
Gears		Distortion		✓
		Broken or worn teeth		✓
		Cracks		✓
		Inadequate lubrication		✓
Load Block: Suspension housing		Distortion	✓	✓
		Cracks	✓	✓
Trolley: Supporting structure		Possible inability to continue supporting loads		✓
Bolts, Nuts, Rivets		Not tight or secure		✓
WARNING Label		Removed or illegible	✓	

**HOOKS**

**WARNING**

1. Any hook that requires replacement because of excessive bends, twists, or throat opening indicates abuse or overloading of the product. Therefore, other load-supporting components of the product should be inspected for possible damage when such conditions are found.
2. Never repair hooks by welding or reshaping. Heat applied to the hook will alter the original heat treatment of the hook material and reduce the strength of the hook.
3. Never weld handles or other attachments to the hook.

**HOOK INSPECTION**

Where applicable, inspect hooks and measure throat opening at least once a month. Between regular inspections check visually daily for deformation, distortion, twisting, damage and missing or damaged hook latches.

Hooks damaged from chemicals, deformations or cracks, or that have more than 10° twist from the plane of the unbent hook or excessive opening or seat wear, must be replaced. Also, hooks that are opened to the extent that the latch does not engage the tip must be replaced. See figure 1.

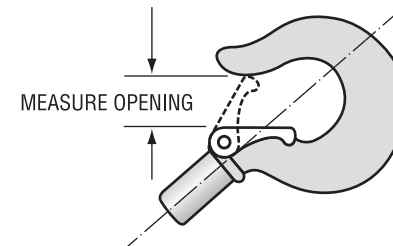


Figure 1 - Hook throat opening

Replace hook when opening is greater than	Hoist capacity (tonnes)
27mm	0.75
34mm	1.5
43mm	3
47mm	6

**Note:** Top and Bottom Hooks have same dimensions.